

Acoustic door grille for residential sector

Material

- Made from aluminium sections: AlMgSi 0.5 (according to EN 12020-2)
- Sound absorbing material: synthetic foam
- End caps: in Luran S ASA polymer (colourfast, weatherproof and UV-resistant)
- End caps: available in grey, black, cream or white

Dimensions

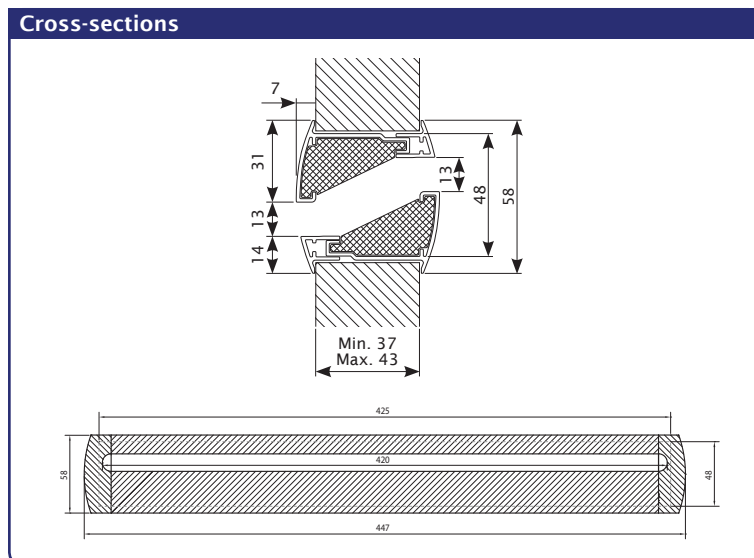
- Length: 425 mm
- Height: 48 mm
- Door thickness: 37 to 43 mm

Available models

- The Silendo R is available in a standard 425 x 48 mm size in the following standard colours: Renson standard WHITE (with matching white end caps), RAL 8019 (black end caps) and natural colour (grey end caps)
- Other lengths and colours available on request

Typical applications

- offices, commercial buildings, toilet doors



Technical specifications	Silendo®
Airflow	(EN 13141-1)
Q at 1 Pa	17,7 m³/h
Q at 2 Pa	25,1 m³/h
Q at 10 Pa	56,1 m³/h
Q at 20 Pa	79,4 m³/h
Comfort	(EN ISO 140-10, EN ISO 717-1)
Sound reduction $D_{n,e,w}$ (C;C _{tr})	32 (0;-2) dB
Technical data	
Visual free area	27%
Physical free area	27%
Colours	
Natural	•
Renson standard WHITE	•
RAL 8019	•

